

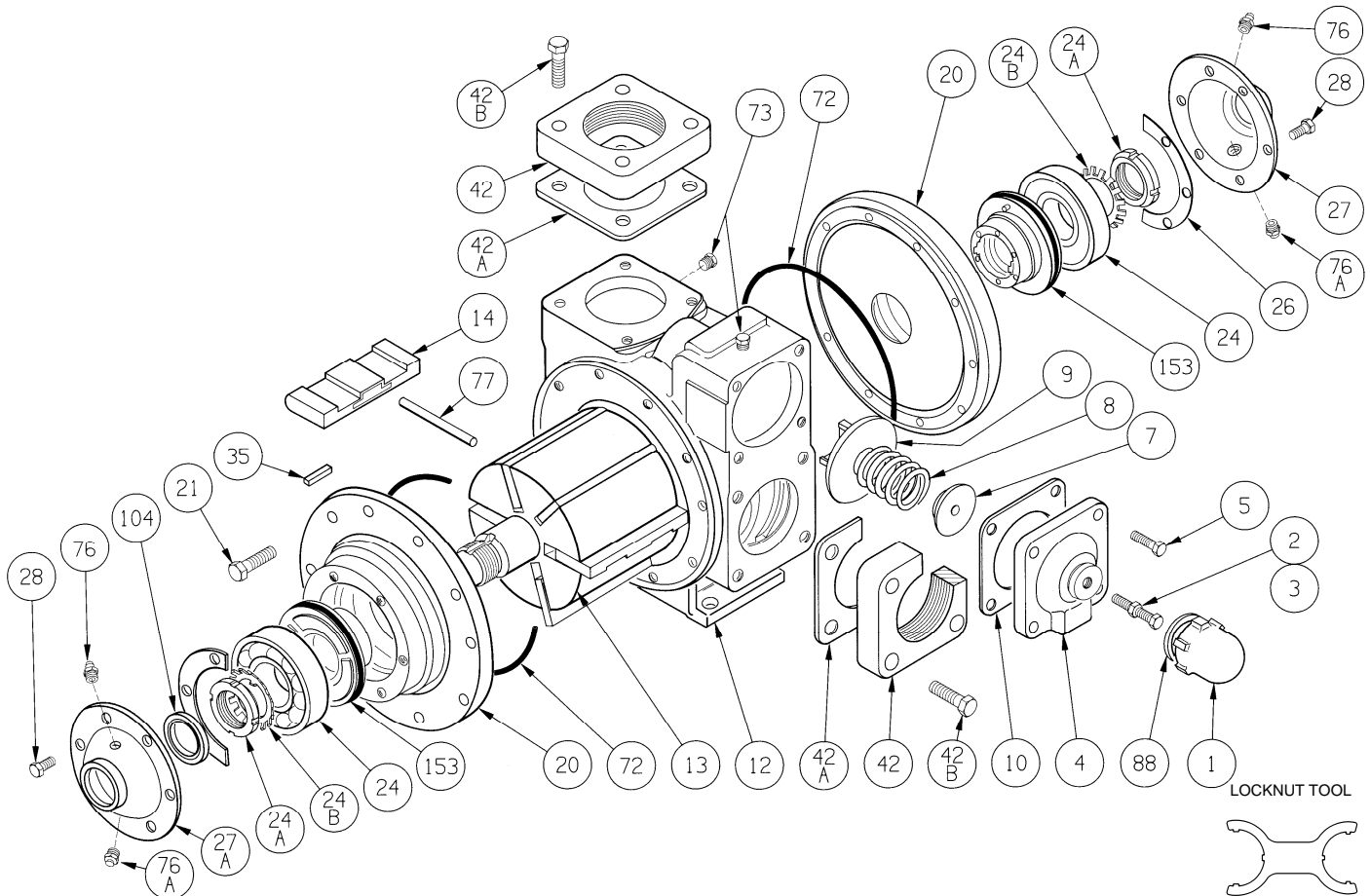
BLACKMER PARTS LIST

PUMP MODEL: X3E

Keep with Instructions 101-B00 for Installation, Operation and Maintenance

961821 **PARTS LIST**
Page 1 of 2 **101-B07**

Section 101
Effective Jan 2011
Replaces Sept 2009



Ref. No.	Description	Parts per Pump	Part No.	Ref. No.	Description	Parts per Pump	Part No.
1	Cap - Relief Valve (R/V)	1	413957	24	Ball Bearing	2	903172
2	Adjusting Screw - R/V	1	431808	24A	Locknut - Bearing	2	903523
3	Locknut - Adjusting Screw	1	922923	24B	Lockwasher - Bearing	2	903524
4	Cover - R/V	1	411807	26	Gasket - Bearing Cover	2	385125
5	Capscrew - R/V Cover	4	920331	27	Bearing Cover - Outboard	1	041817
7	Spring Guide - R/V	1	421805	27A	Bearing Cover - Inboard	1	041815
8	Spring - R/V (36-50 psi)	1	471805	28	Capscrews - Bearing Cover	12	920285
	Spring - R/V (51-110 psi)		471806	35	Key - Shaft, Square	1	909209 ^{1,2}
	Spring - R/V (111-125 psi)		471809	42	Flange - 3" NPT (Std.) ³	2	651803
9	Valve - R/V (Std.)	1	451807	42A	Gasket - NPT Flange (Std.)	2	381816
	Valve - R/V (Nickel Plated)		451808	42B	Capscrews - NPT Flange (Std.)	8	920532
10	Gasket - R/V Cover	1	531803	72	O-Ring - Head (FKM) (Std.)	2	711938
12	Cylinder	1	021805		O-Ring - Head (PTFE)		702082
13	Rotor & Shaft (Includes Ref. Nos. 24A & 24B)	1	261839	73	Gage Plug	2	908198
				76	Grease Fitting	2	317815
14	Vane - Duravane (Std.)	6	091819	76A	Grease Relief Fitting	2	701992
	Vane - EC Cast Iron		091821	77	Push Rod	3	121807
	Vane - EC Laminate		091829	88	Gasket - R/V Cap	1	533908
20	Head	2	031815	104	Grease Seal	1	331908
21	Capscrews - Head	20	920369		Tool - Locknut		903091
					Kit - Maintenance		898958

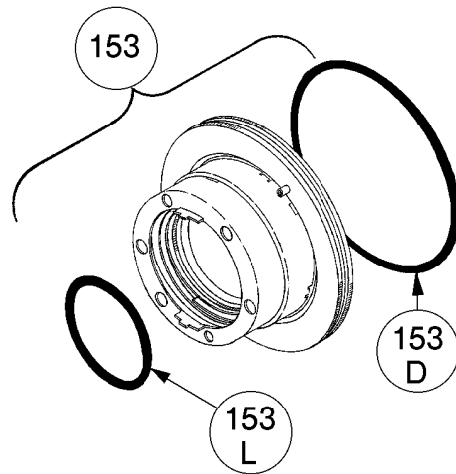
¹ Included in Maintenance Kit. ² Maintenance kit also includes Woodruff Key 909130 used previously
³ See Page 2 for Weld / ANSI flange options. SS = Stainless Steel. EC = Extra-Clearance..

MECHANICAL SEALS

Ref. No.	Part Name	Parts Per Pump	Part No.
153	Mechanical Seal Complete - (Std.) Cast Iron Stationary Seat, Carbon Seal Face, FKM O-Rings. (IVCV)	2	¹ 331883
	Mechanical Seal Complete - Cast Iron Stationary Seat, PTFE O-Ring, Carbon Seal Face w/ PTFE Seal Ring. (IACT)		331873
	Mechanical Seal Complete - Stainless Steel Stationary Seat, PTFE O-Ring, Carbon Seal Face w/ PTFE Seal Ring. (WACT)		331899
153D	O-Ring - Stationary (FKM)	2	711931
	O-Ring - Stationary (PTFE)		702080
153L	O-Ring - Rotating (FKM)	2	701962
	Seal Ring - Rotating (PTFE)		**

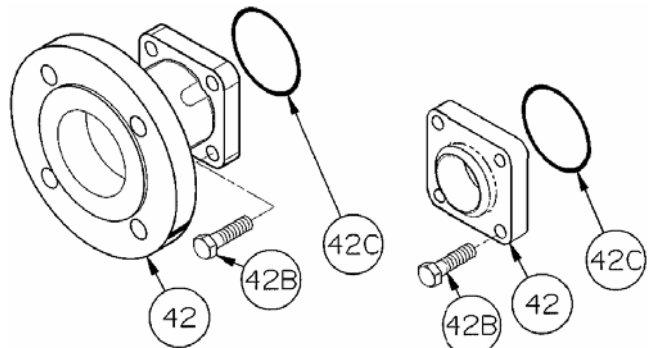
¹ Included in Maintenance Kit

**PTFE Rotating Seal Ring is not available as a separate part.



FLANGE OPTIONS

Ref. No.	Part Name	Parts Per Pump	Part No.
42	Flange - 3" Weld	2	655102
	Flange - 3" ANSI		651817
42B	Capscrews - Weld / ANSI Flange	8	920510
42C	O-Ring - Weld/ANSI Fig. (FKM)	2	701968
	O-Ring - Weld/ANSI Fig. (PTFE)		702101



ANSI FLANGE

WELD FLANGE

