

BLACKMER PARTS LIST
PUMP MODEL: HXL10E

967604

Page 1 of 4

PARTS LIST

102-A04

Section

102

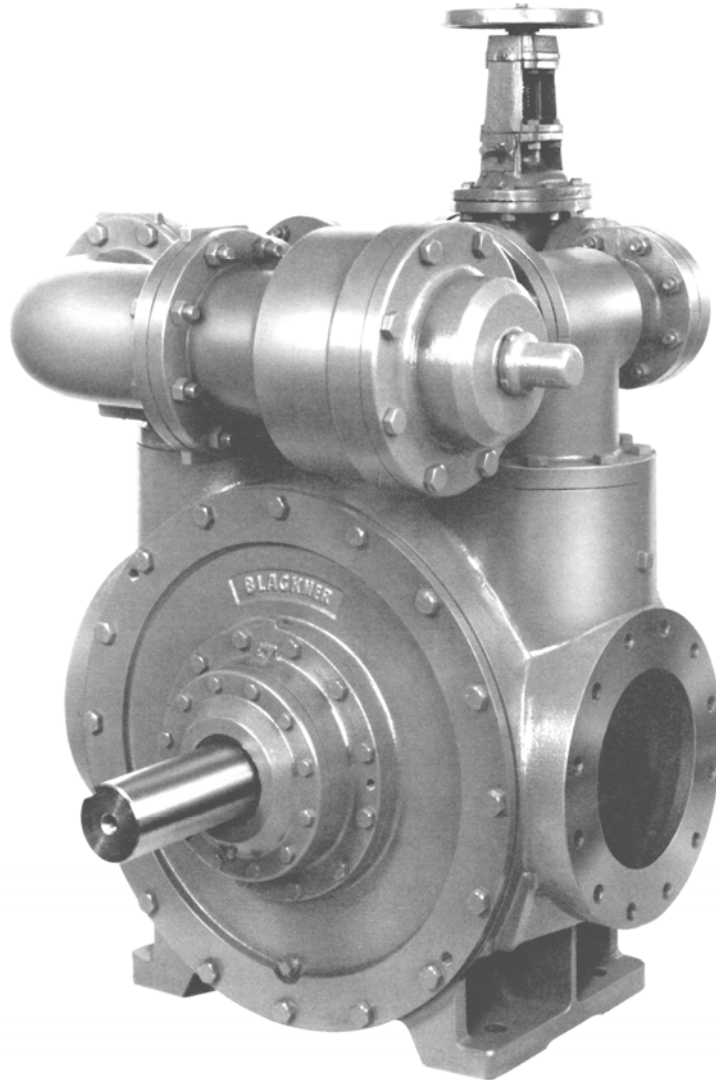
Effective

May 2010

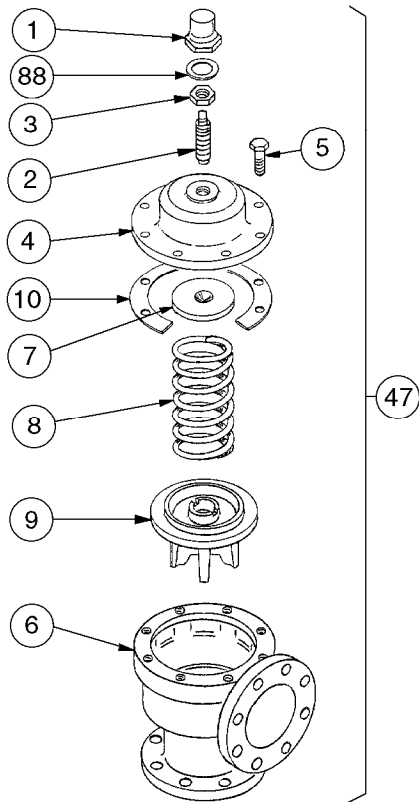
Replaces

March 2008

See Instructions 102-A00 for Installation, Operation and Maintenance



Keep this parts list with Installation, Operation and Maintenance Instructions.



OPTIONAL EXTERNAL RELIEF VALVE ¹

Ref. No.	Part Name	Parts Per Pump	Part No.
1	Cap - Relief Valve (R/V)	1	417710
2	Adjusting Screw - R/V	1	437205
3	Locknut - Adjusting Screw	1	436655
4	Cover - R/V	1	417600
5	Capscrews - R/V Cover	8	920761
6	Body - R/V	1	407600
7	Spring Guide - R/V	1	427250
8	Spring - R/V (51-100 psi)	1	477251
	Spring - R/V (101-150 psi)		*
9	Valve - R/V	1	457250
10	Gasket - R/V Cover	1	537250
47	R/V Assembly - Complete	—	—
88	Gasket - R/V Cap	1	536652

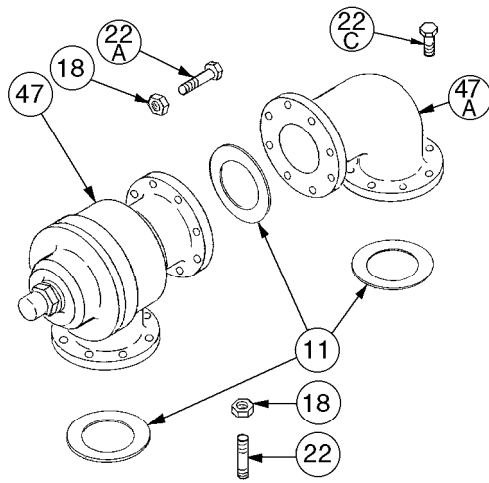
*Use Springs 477250 and 477251 nested together.

NOTES:

¹**Optional External Relief Valve** - relieves pressure back to source or upstream piping.

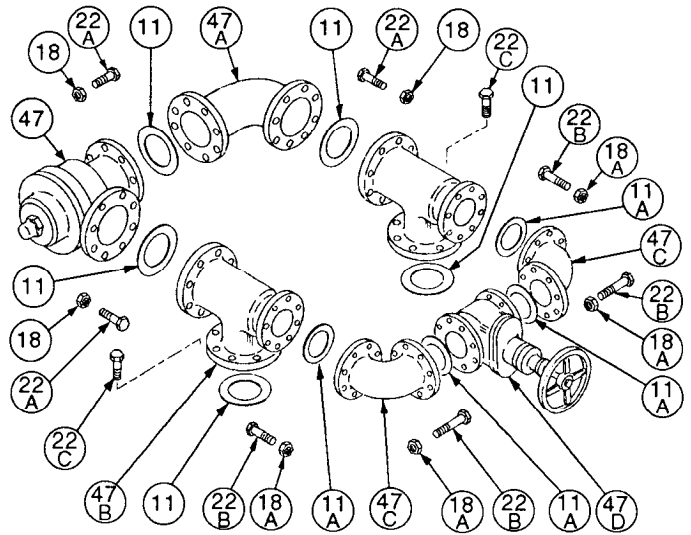
²**Optional Internal Relief Valve (typical design)** - relieves pressure back to pump inlet.

³**Optional Relief Valve / Manual Bypass** - Relief valve relieves pressure back to pump inlet; manual bypass valve, in parallel with relief valve, recirculates fluid back to suction to reduce flow and pressure.



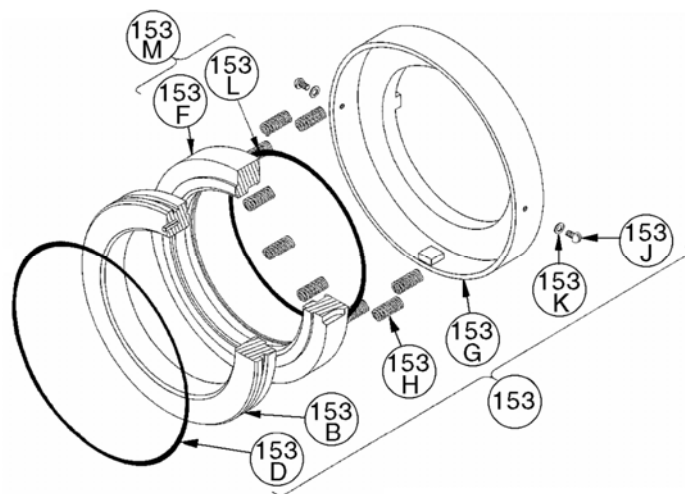
OPTIONAL INTERNAL RELIEF VALVE ²

Ref. No.	Part Name	Parts Per Pump	Part No.
11	Gasket - Flange / R/V	3	387511
18	Nut	10	922875
22	Stud	2	921649
22A	Capscrews	8	920811
22C	Capscrews	14	920780
47A	Elbow Flange	1	908677



OPTIONAL R/V - MANUAL BYPASS VALVE ASSEMBLY ³

Ref. No.	Part Name	Parts Per Pump	Part No.
11	Gasket - Flange	5	387511
11A	Gasket - Flange	4	386911
18	Nut	24	922875
18A	Nut	32	922865
22A	Capscrews	24	920819
22B	Capscrews	32	920720
22C	Capscrews	16	920780
47A	Elbow Flange	1	908677
47B	Reducing Tee	2	908678
47C	Elbow	2	908676
47D	Gate Valve	1	908067



MECHANICAL SEAL - STANDARD

Ref. No.	Part Name	Parts Per Pump	Part No.
153	Mechanical Seal Asy. (RVCV)	2	¹ 337665
153B	Stationary Seat (Ni-Resist)	2	337605
153D	O-Ring - Stationary (FKM)	2	711934
153F	Rotating Seal Face (Carbon)	2	337610
153G	Seal Jacket	2	337630
153H	Seal Springs	24	337716
153J	Screw - Seal Jacket	4	922740
153K	Lockwasher - Seal Jacket	4	909608
153L	O-Ring - Rotating (FKM)	2	711932

MECHANICAL SEAL - OPTIONAL

Ref. No.	Part Name	Parts Per Pump	Part No.
153	Mechanical Seal Asy. (RVBV)	2	337664
153B	Stationary Seat (Ni-Resist)	2	337605
153D	O-Ring - Stationary (FKM)	2	711934
153F	Rotating Seal Face (Bronze)	2	337612
153G	Seal Jacket	2	337630
153H	Seal Springs	24	337716
153J	Screw - Seal Jacket	4	922740
153K	Lockwasher - Seal Jacket	4	909608
153L	O-Ring - Rotating (FKM)	2	711932

¹ Included in Maintenance Kit and Rebuild Kit



1809 Century Avenue, Grand Rapids, Michigan 49503-1530, U.S.A.
 Telephone: (616) 241-1611 / Fax: (616) 241-3752
 E-Mail: blackmer@blackmer.com / Internet: www.blackmer.com