

BLACKMER PARTS LIST

PUMP MODEL: NP1.5B

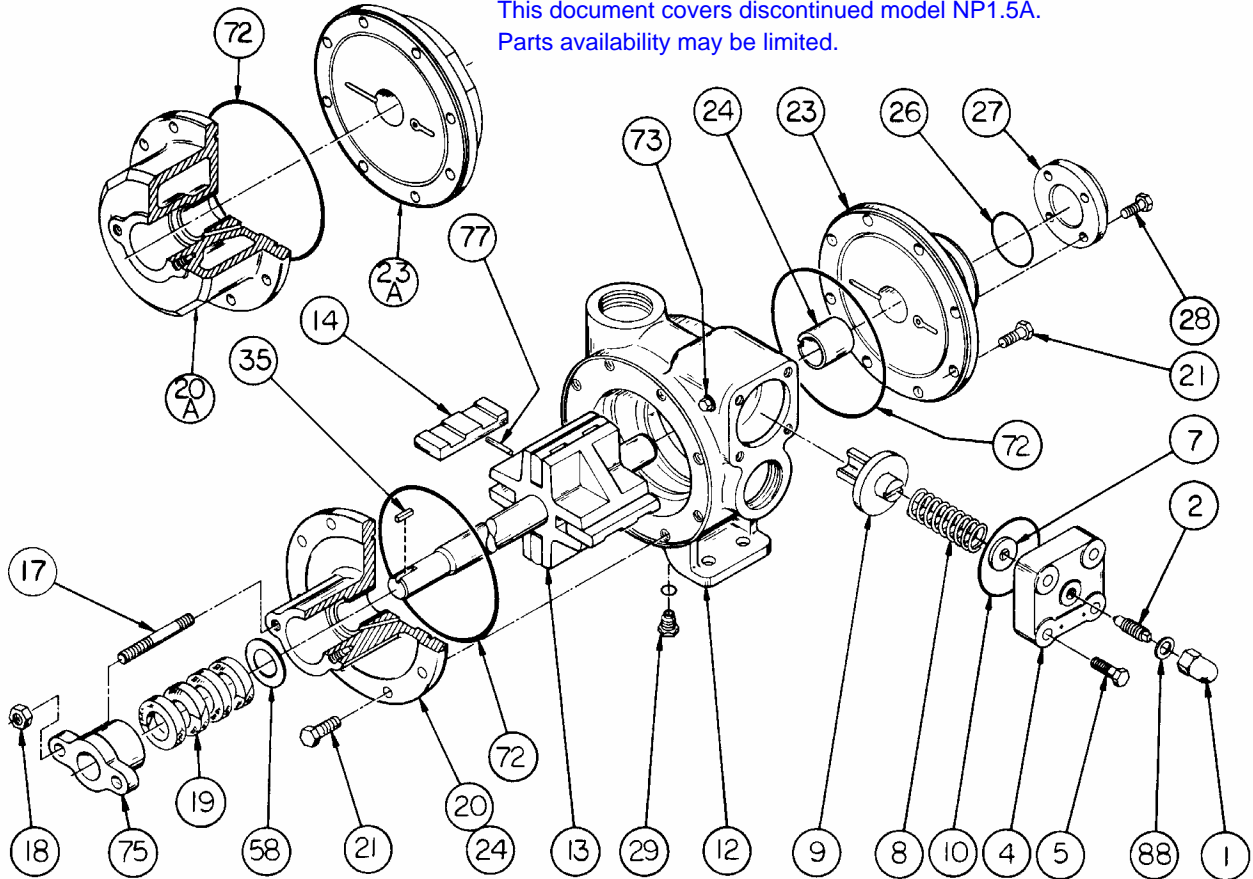
DISCONTINUED MODEL: NP1½A

NOTE: "B" model suffix indicates FKM replaces Buna-N as the standard elastomer.
(See Instructions 185/F for Installation, Operation and Maintenance)

961202 **PARTS LIST**
Page 1 of 2 **103-A01_0512**

Section	103
Effective	Dec 2005
Replaces	Aug 2003

This document covers discontinued model NP1.5A.
Parts availability may be limited.



Ref. No.	Description	Parts per Pump	Part No.	Ref. No.	Description	Parts per Pump	Part No.
1	Cap - Relief Valve (R/V)	1	411452	14	Vane - Duravane (Std.)	4	⁴ 091219
2	Adjusting Screw - R/V	1	431401		Vane - Laminate		093351
4	Cover - R/V (Std.)	1	411469		Vane - EC Cast Iron		093327
	Cover - R/V ¹		411268		Vane - EC Bronze		093328
5	Capscrew - R/V Cover (Std.)	4	920316	20	Head & Bushing Asy. - Inboard	1	031252
	Capscrew - R/V Cover ¹		920369	20A	Jacketed Head & Bushing Asy. - Inbd. ³	0 - 1	031256
7	Spring Guide - R/V	1	423955	21	Capscrews - Head	16	920331
8	Spring - R/V (25-50 psi)	1	471415	23	Head & Bushing Asy. - Outboard	1	031253
	Spring - R/V (51-75 psi)		471420	23A	Jacketed Head & Bushing Asy. - Outbd.	0 - 1	031257
	Spring - R/V (76-100 psi)		471425	24	Sleeve Bearing	2	⁴ 161200
	Spring - R/V (101-150 psi)		471424	26	O-Ring - Bearing Cover (FKM) (Std.)	1	⁴ 702205
	Spring - R/V (151-200 psi) ¹		471200		O-Ring - Bearing Cover (PTFE)		702076
	SS Spring - R/V (25-50 psi)		471417	27	Bearing Cover	1	041215
	SS Spring - R/V (51-75 psi)		471418	28	Capscrews - Bearing Cover	4	920178
	SS Spring - R/V (76-100 psi)		471427	29	Pipe Plug Asy. ² (SAE # 6) (FKM) (Std.)	1	908212
	SS Spring - R/V (101-150 psi)		471429		Pipe Plug Asy. ² (SAE # 6) (PTFE)		908213
	SS Spring - R/V (151-200 psi) ¹		471268		35		Key - Shaft
9	Valve - R/V (Std.)	1	451416	72	O-Ring - Head (FKM) (Std.)	2	⁴ 702048
	Valve - R/V (Nickel Plated)		451414	O-Ring - Head (PTFE)	702111		
10	O-Ring - R/V Cover (FKM) (Std.)	1	⁴ 702212	73	Gage Plug	2	908198
	O-Ring - R/V Cover (PTFE)		702213	77	Push Rods	2	⁴ 123305
12	Cylinder (Std.)	1	021203	88	Gasket - R/V Cap	1	⁴ 701981
	Cylinder w/ Drain (Cast Iron) ²		021202	—	Kit — Maintenance	—	898928
13	Rotor & Shaft (Std.)	1	261201				

¹Optional High Pressure Relief Valve – parts must be used as a group (includes p/n's 411268, 920369, and either 471200 or 471268).

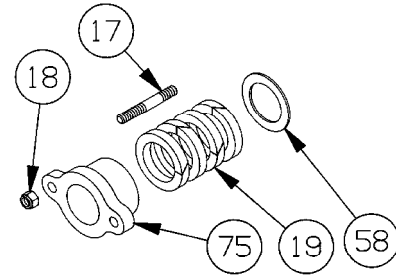
²SAE Plug standard with pump cylinder p/n 021202. ³Crane #9 option not available. SS = Stainless Steel EC = Extra Clearance

⁴Included in Maintenance Kit

Keep this parts list with Installation, Operation and Maintenance Instructions.

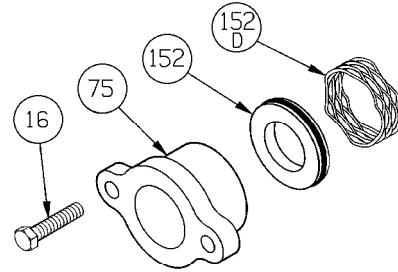
PACKING - STANDARD

Ref. No.	Part Name	Parts Per Pump	Part No.
17	Stud - Packing Follower	2	921450
18	Nut - Packing Follower Stud	2	922428
19	Packing Set	1	323376
58	Pack Washer	1	353307
75	Packing Follower	1	141205



LIP SEAL - OPTIONAL

Ref. No.	Part Name	Parts Per Pump	Part No.
16	Capscrew - Follower	2	920316
75	Seal Follower	1	141205
152	Lip Seal Assembly (To 500°F)	1	702243
152D	Wave Spring	1	321201

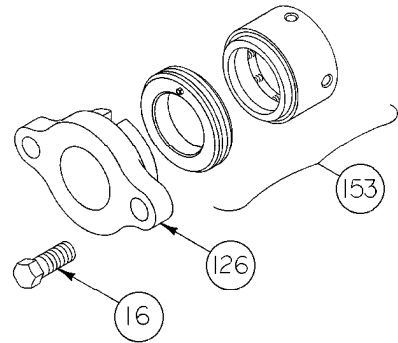


COMMERCIAL MECHANICAL SEAL - OPTIONAL*

Ref. No.	Part Name	Parts Per Pump	Part No.
16	Capscrew - Seal Retainer	2	920316
126	Seal Retainer	1	141206
153	Mechanical Seal Asy. Crane #9	1	331276

*Not available for jacketed configuration.

NOTE: Seal Materials (Ni-resist, Carbon, FKM)



TRIPLE-LIP CARTRIDGE SEAL - OPTIONAL

Ref. No.	Part Name	Seal	Seal Rebuild Kit
—	TRIPLE-LIP CARTRIDGE SEAL	331214	899102
220	Shaft Sleeve O-Ring	2	X
221	Shaft Sleeve	1	
222	Gasket	1	X
223	Gland Plate Assembly	1	
224	Element O-Ring	1	X
225	Seal Spacer	1	X
226	Seal Element	3	X
227	Flushing Spacer	1	X
228	Flushing Spacer O-Ring	1	X
229	Retaining Ring	1	
230	Snap Ring	1	X
231	Shaft Sleeve Setscrews	6	X
233	Gland Capscrew	4	X
234	Flat Washer	4	X

X = Included in Seal Rebuild Kit

