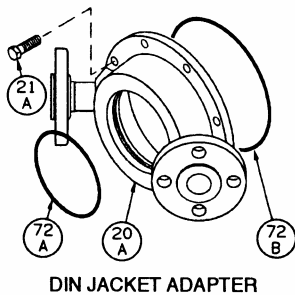


# BLACKMER PARTS LIST

## PUMP MODEL: NP3E DISCONTINUED MODEL: NP3C

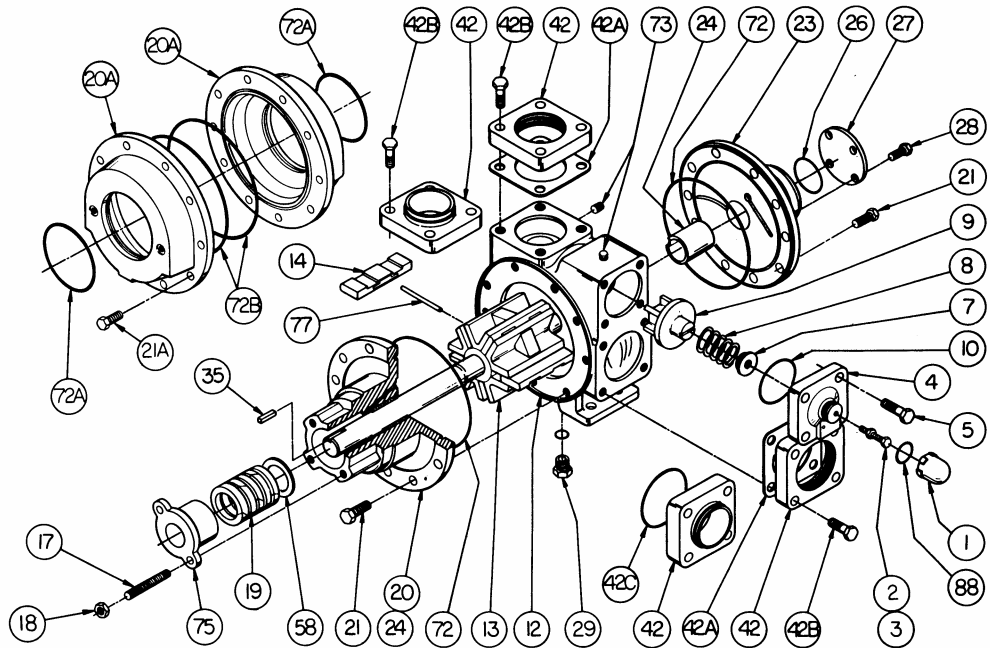
NOTE: "E" model suffix indicates FKM replaces Buna-N as the standard elastomer.  
(See Instructions ~~185/F~~ 185/F for Installation, Operation and Maintenance)

Section 103  
Effective July 2001  
Replaces 185/F7 June95



DIN JACKET ADAPTER

Re. Jacketed Pumps:  
Replacement of either the head or jacket requires the use of the 1 piece head/jacket used on the NP3F.



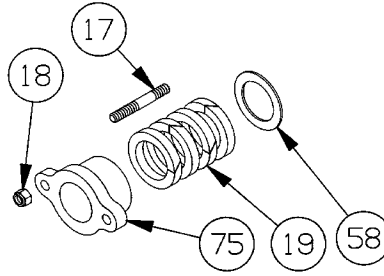
| Ref. No. | Description                                  | Parts per Pump | Part No. | Ref. No. | Description                                       | Parts per Pump | Part No. |
|----------|--|----------------|----------|----------|---|----------------|----------|
| 1        | Cap - Relief Valve (R/V)                     | 1              | 415000   | 14       | Vane - EC Bronze                                  | 6              | 091804   |
| 2        | Adjusting Screw - R/V                        | 1              | 431808   | 20       | Head & Bushing Asy. - Inboard                     | 1              | 031868   |
| 3        | Locknut - Adjusting Screw                    | 1              | 922923   | 20A      | SAE Heating Jacket                                | 0 - 2          | 031870   |
| 4        | Cover - R/V (Std.)                           | 1              | 411811   |          | Din Heating Jacket/Adapter Asy.                   |                | 891750   |
|          | Cover - R/V <sup>1</sup>                     |                | 411868   | 21       | Capscrews - Head                                  | 20             | 920369   |
| 5        | Capscrew - R/V Cover (Std.)                  | 4              | 920331   | 21A      | Capscrews - Heating Jacket                        | 0 - 20         | 920421   |
|          | Capscrew - R/V Cover <sup>1</sup>            |                | 920381   | 23       | Head & Bushing Asy. - Outboard                    | 1              | 031869   |
| 7        | Spring Guide - R/V                           | 1              | 421805   | 24       | Sleeve Bearing                                    | 2              | 161600   |
| 8        | Spring - R/V (36-50 psi)                     | 1              | 471805   | 26       | O-Ring - Bearing Cover (FKM) (Std.)               | 1              | 702038   |
|          | Spring - R/V (51-110 psi)                    |                | 471806   |          | O-Ring - Bearing Cover (PTFE)                     |                | 702234   |
|          | Spring - R/V (111-150 psi)                   |                | 471809   | 27       | Bearing Cover                                     | 1              | 041600   |
|          | Spring - R/V (151-200 psi) <sup>1</sup>      |                | 471868   | 28       | Capscrews - Bearing Cover                         | 4              | 920291   |
|          | SS Spring - R/V (36-50 psi)                  |                | 471815   | 29       | Pipe Plug Asy. <sup>2</sup> (SAE # 6) (FKM)(Std.) | 1              | 908212   |
|          | SS Spring - R/V (51-110 psi)                 |                | 471807   |          | Pipe Plug Asy. <sup>2</sup> (SAE # 6) (PTFE)      |                | 908213   |
|          | SS Spring - R/V (111-150 psi)                |                | 471808   | 35       | Key - Shaft                                       | 1              | 909177   |
|          | SS Spring - R/V (151-200 psi) <sup>1</sup>   |                | 471869   | 42       | Flange - 3" NPT (Std.) <sup>4</sup>               | 2              | 651803   |
| 9        | Valve - R/V (Std.)                           | 1              | 451807   | 42A      | Gasket - NPT Flange (Comp.) (Std.) <sup>4</sup>   | 2              | 381616   |
|          | Valve - R/V (Nickel Plated)                  |                | 451808   | 42B      | Capscrew - NPT Flange <sup>4</sup>                | 8              | 920532   |
| 10       | O-Ring - R/V Cover (FKM) (Std.)              | 1              | 711931   | 72       | O-Ring - Head (FKM) (Std.)                        | 2              | 702232   |
|          | O-Ring - R/V Cover (PTFE)                    |                | 702080   |          | O-Ring - Head (PTFE)                              |                | 702233   |
| 12       | Cylinder (Std.)                              | 1              | 021805   | 72A      | O-Ring (Small) - Jacket (FKM) <sup>3</sup>        | 0 - 2          | 701991   |
|          | Cylinder w/Drain (Ductile Iron) <sup>2</sup> |                | 021815   |          | O-Ring (Small) - Jacket (EPR) <sup>3</sup>        |                | 702249   |
| 13       | Rotor & Shaft (Std.)                         | 1              | 261868   | 72B      | O-Ring (Large) - Jacket (FKM) <sup>3</sup>        | 0 - 2          | 702232   |
|          | Rotor & Shaft (Ext. Length)                  |                | 261869   |          | O-Ring (Large) - Jacket (EPR) <sup>3</sup>        |                | 702254   |
| 14       | Vane - Duravane (Std.)                       | 6              | 091819   | 73       | Gage Plug   | 2              | 908198   |
|          | Vane - Laminate                              |                | 091809   | 77       | Push Rods   | 3              | 121807   |
|          | Vane - EC Laminate                           |                | 091829   | 88       | O-Ring - R/V Cap (FKM) (Std.)                     | 1              | 711908   |
|          | Vane - EC Cast Iron                          |                | 091821   |          | O-Ring - R/V Cap (PTFE)                           |                | 702076   |

<sup>1</sup>Optional High Pressure Relief Valve - parts must be used as a group (includes p/n's 411868, 920381, and either 471868 or 471869). <sup>2</sup>SAE Plug standard with ductile iron cylinder (p/n 021815) and cast iron cylinder w/drain (p/n 021816). <sup>3</sup>For hot oil circulation use FKM O-Rings; For steam circulation use EPR O-Rings. <sup>4</sup>See backside for Flange Options. EC = Extra-Clearance SS = Stainless Steel

Keep this parts list with Installation, Operation and Maintenance Instructions.

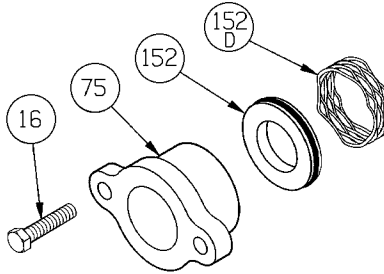
**PACKING - STANDARD**

| Ref. No. | Part Name                   | Parts Per Pump | Part No. |
|----------|-----------------------------|----------------|----------|
| 17       | Stud - Packing Follower     | 2              | 921868   |
| 18       | Nut - Packing Follower Stud | 2              | 922428   |
| 19       | Packing Set                 | 1              | 321868   |
| 58       | Pack Washer                 | 1              | 355168   |
| 75       | Packing Follower            | 1              | 141868   |



**LIP SEAL - OPTIONAL**

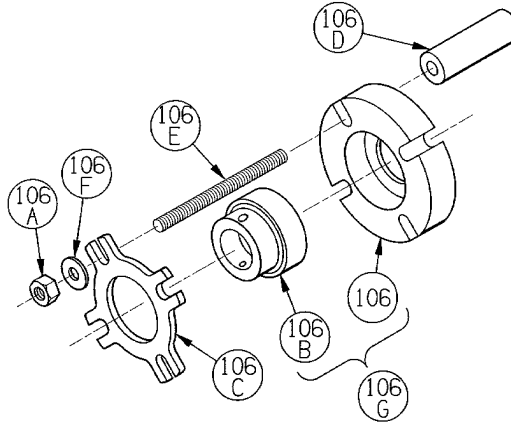
| Ref. No. | Part Name                    | Parts Per Pump | Part No. |
|----------|------------------------------|----------------|----------|
| 16       | Capscrew - Follower          | 2              | 920359   |
| 75       | Seal Follower                | 1              | 141868   |
| 152      | Lip Seal Assembly (To 500°F) | 1              | 702245   |
| 152D     | Wave Spring                  | 1              | 321601   |



**NOTE:** A Commercial Mechanical Seal (cartridge type) can be used in place of packing or lip seals. Consult mechanical seal manufacturer for more information.

**SHAFT SUPPORT BEARING – OPTIONAL\***

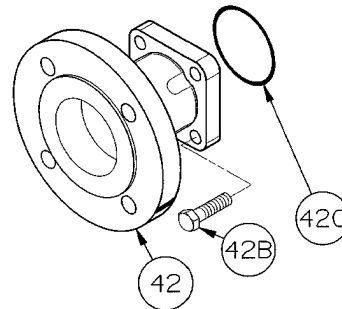
| Ref. No.  | Part Name  | Parts Per Pump | Part No. |
|-----------|--|----------------|----------|
| See Below | Shaft Support Bearing Kit                                  | See Below      | 891698   |
| 106       | Bearing Housing  | 1              | 651414   |
| 106A      | Locknut - Bearing Housing                                  | 4 - 6          | 922428   |
| 106B      | Bearing & Collar Assembly                                  | 1              | 903136   |
| 106C      | Cover - Bearing Housing                                    | 1              | 651409   |
| 106D      | Stand Off - Bearing Support (for use with packing)         | 2              | 631603   |
|           | Stand Off - Bearing Support (for use with mechanical seal) | 4              | 631602   |
| 106E      | Stud - Bearing Support                                     | 4              | 921484   |
| 106F      | Washer - Locknut   | 4              | 909665   |
| 106G      | Bearing & Housing Assembly                                 | —              | 631604   |



\*Shaft Support Bearing is designed for use with Extended Length Rotor & Shaft - p/n 261869.

**FLANGE OPTIONS**

| Ref. No. | Part Name                         | Parts Per Pump | Part No. |
|----------|-----------------------------------|----------------|----------|
| 42       | Flange - 3" Weld (shown on front) | 0 - 2          | 655102   |
|          | Flange - DIN 80                   |                | 651818   |
|          | Flange - ANSI 3"                  |                | 651817   |
| 42B      | Capscrew - Weld/DIN/ANSI Fig.     | 0 - 8          | 920510   |
| 42C      | O-Ring - Flange (FKM)             | 0 - 2          | 701968   |
|          | O-Ring - Flange (PTFE)            |                | 702101   |



DIN / ANSI FLANGE