

# BLACKMER PARTS LIST

## PUMP MODELS: LGF1E, LGB1E, LGF1PE, LGB1PE

Keep with 501-A00 Installation, Operation and Maintenance.

960401

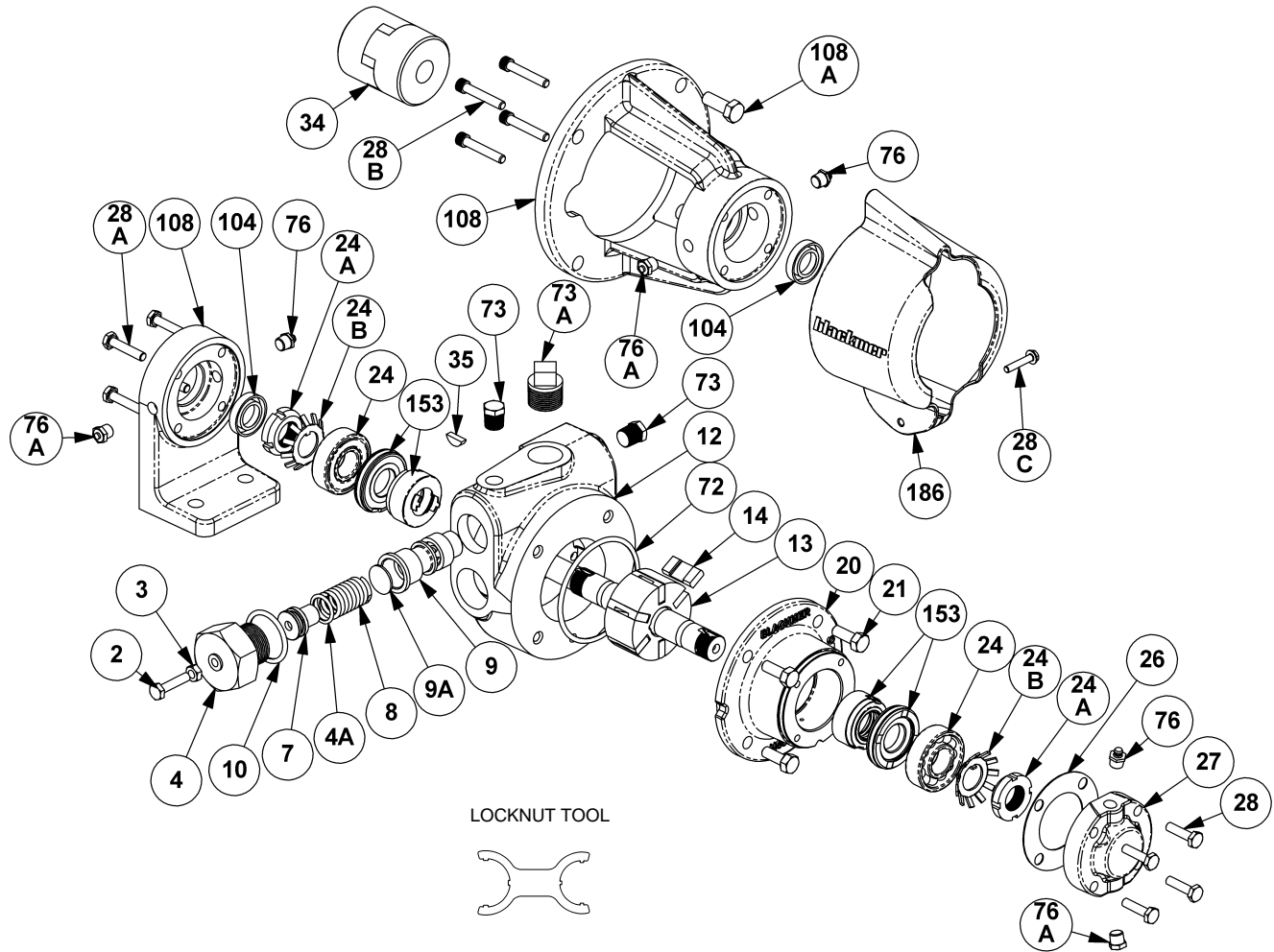
Page 1 of 2

PARTS LIST

501-A01

Section  
Effective  
Replaces

501  
Oct 2011  
April 2011



Ref. No.	Description	Parts per Pump	Part No.	Ref. No.	Description	Parts per Pump	Part No.
2	Adjusting Screw – Relief Valve (R/V)	1	<sup>2</sup> 432901	28A	Bracket Mounting Screws	4	920090
3	Locknut – Adjusting Screw	1	<sup>2</sup> 922811	28B	Bracket Mounting Screws	4	920101
4	Cover – R/V	1	412901	28C	Guard Screw	1	920026
4A	O-Ring – Spring Guide	1	<sup>1,2</sup> 711940	34	Coupling Half – Pump	1	906150
7	Spring Guide – R/V	1	<sup>2</sup> 422901		Coupling Half – Motor (56C)		906151
8	Spring – R/V	1	<sup>2</sup> 472901		Coupling Half – Motor (143-145TC/184C)		906147
9	Valve – R/V	1	<sup>2</sup> 452901		Coupling Spider		906155
9A	Disc – R/V	1	<sup>2</sup> 442901	35	Key – Shaft	1	<sup>1</sup> 909126
10	O-Ring – R/V Cover	1	<sup>1,2</sup> 701965	72	O-Ring – Head	1	<sup>1</sup> 711941
12	Cylinder – LGF1, LGB1	1	022914	73	Gage Plug (1/4")	2	908198
	Cylinder – LGF1P, LGB1P		022915	73A	Gage Plug (3/4")	1	908225
13	Rotor & Shaft Assembly, Six Vane (Includes Ref. Nos. 24A & 24B)	1	262907	76	Grease Fitting	2	317815
14	Vane – Duravane (Std.)	6	<sup>1,3</sup> 092913	76A	Grease Relief Fitting	2	701992
20	Head	1	032905	104	Grease Seal	1	<sup>1</sup> 331934
21	Capscrews – Head	4	920178	108	Bracket - (base mount) - LGB1(P)E	1	832913
24	Ball Bearing	2	<sup>1</sup> 903405		Bracket (C-faced footless) - LGF1(P)E		832912
24A	Locknut – Bearing	2	903531	108A	Capscrews – Bracket	4	920331
24B	Lockwasher – Bearing	2	<sup>1</sup> 903532	108B	Bracket (C-faced footed)		SEE PAGE 2
26	Gasket – Bearing Cover	1	<sup>1</sup> 383075	186	Guard	1	804120
27	Bearing Cover	1	043071		Tool - Locknut		903090
28	Capscrews – Bearing Cover	4	920080		Kit – RV Maintenance		899094
					Kit – Maintenance (6-Vane)		898994

<sup>1</sup> Included in Maintenance Kit.

<sup>2</sup> Included in RV Kit

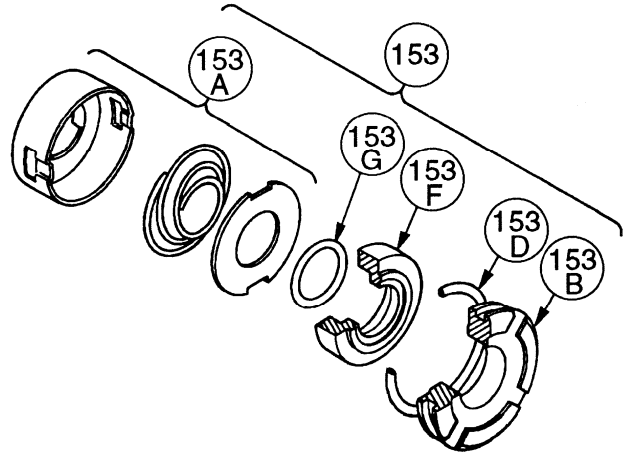
<sup>3</sup> Install the vanes with the slot facing the direction of rotation.

**MECHANICAL SEAL**

Ref. No.	Part Name	Parts Per Pump	Part No.
153	Mechanical Seal Assembly	2	<sup>1</sup> 332920
153A**	Jacket Assembly – Seal	2	**
153B**	Stationary Seat (Steel)	2	**
153D	O-Ring – Stationary Seat (Buna-N)	2	711916
153F**	Seal Face (Carbon)	2	**
153G	O-ring – Rotating (Buna-N)	2	711939

<sup>1</sup> Included in Maintenance Kit

\*\* Ref. Nos. 153A, 153B & 153F are not available as separate repair parts.



**MOUNTING BRACKET**

Ref. No.	Part Name	Parts Per Pump	Part No.
108B	Bracket (C-faced footed) – LGF1(P)E	1	833000

