

BLACKMER PARTS LIST

960401
Page 1 of 2

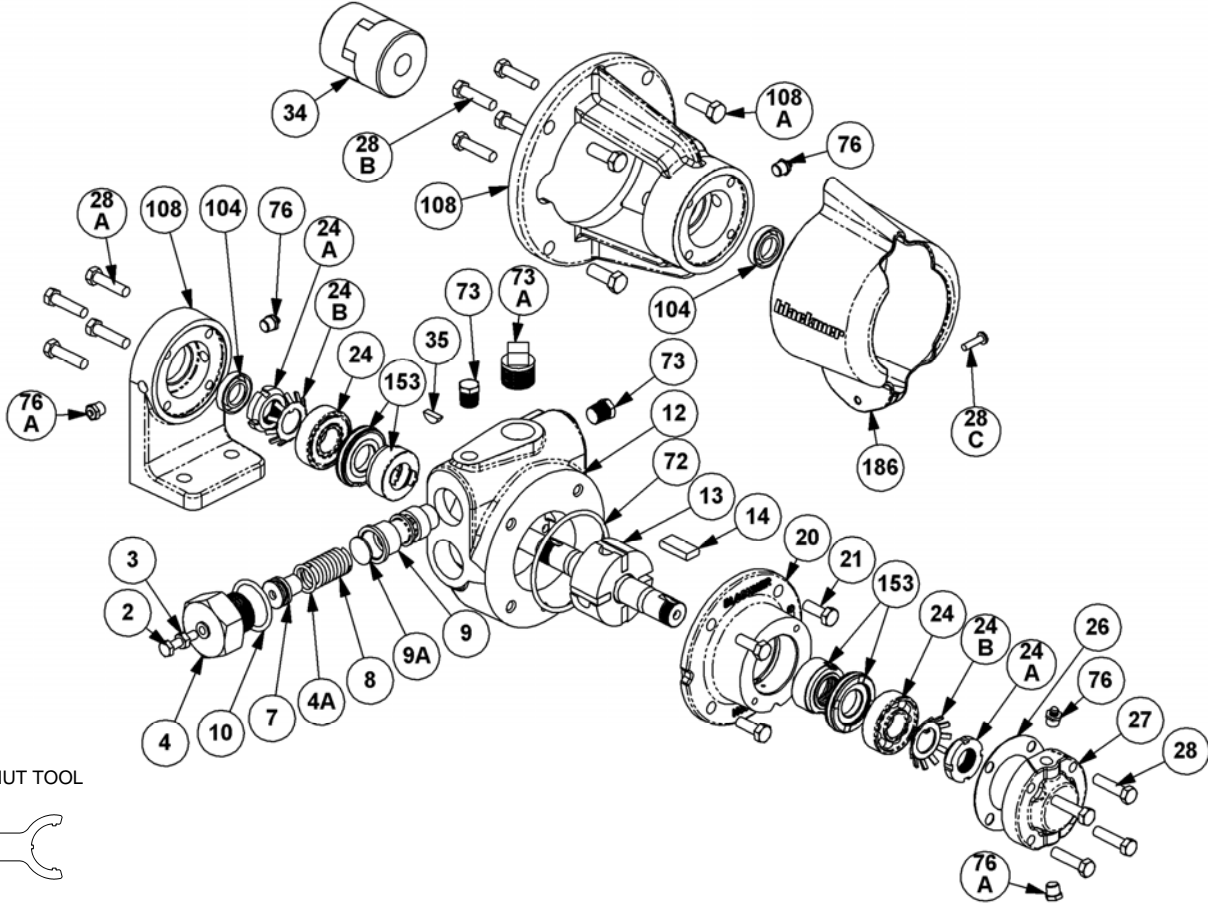
PARTS LIST
501-A01

DISCONTINUED PUMP MODELS:

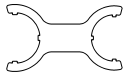
LGF1D, LGB1D, LGF1PD, LGB1PD, LGF1C, LGB1C, LGF1PC, LGB1PC
Keep with Instructions 501-A00 for Installation, Operation and Maintenance

Section	501
Effective	Mar 2011
Replaces	Sept 2003

Discontinued models; parts availability may be limited



LOCKNUT TOOL



Ref. No.	Description	Parts per Pump	Part No.	Ref. No.	Description	Parts per Pump	Part No.
2	Adjusting Screw – Relief Valve (R/V)	1	432901	28 [†]	Capscrews – Bearing Cover	4	920080
3	Locknut – Adjusting Screw	1	922811	28A [†]	Bracket Mounting Screws	4	920090
4	Cover – R/V	1	412901	28B [†]	Bracket Mounting Screws	4	920101
4A	O-Ring – Spring Guide	1	[†] 711940	28C	Guard Screw	1	920026
7	Spring Guide – R/V	1	422901	34	Coupling Half – Pump	1	906150
8	Spring – R/V	1	472901		Coupling Half – Motor (56C)		906151
9	Valve – R/V	1	452901		Coupling Half – Motor (143-145TC/184C)		906147
9A	Disc – R/V	1	442901		Coupling Spider		906155
10	O-Ring – R/V Cover	1	[†] 701965	35	Key – Shaft	1	[†] 909126
12 [†]	Cylinder – LGF1, LGB1	1	022914	72	O-Ring – Head	1	[†] 711941
	Cylinder – LGF1P, LGB1P		022915	73	Gage Plug (1/4")	2	908198
13	Rotor & Shaft Assembly, Four Vane ² (Includes Ref. Nos. 24A & 24B)	1	262901	73A [†]	Gage Plug (3/4")	1	908225
				76	Grease Fitting	2	317815
14	Vane – Duravane (Std.) ³	4	[†] 092913	76A	Grease Relief Fitting	2	701992
20 [†]	Head	1	032905	104	Grease Seal	1	[†] 331934
21	Capscrews – Head	4	920178	108	Bracket - (base mount) - LGB1(P)D	1	832913
24	Ball Bearing	2	[†] 903405		Bracket (C-faced footless) - LGF1(P)D		832912
24A	Locknut – Bearing	2	903531	108A	Capscrews – Bracket	4	920331
24B	Lockwasher – Bearing	2	[†] 903532	108B	Bracket (C-faced footed)		SEE PAGE 2
26 [†]	Gasket – Bearing Cover	1	[†] 383075	186	Guard	1	804120
27 [†]	Bearing Cover	1	043071		Tool - Locknut		903090
					Kit – Maintenance (4-Vane)		898916

¹ Included in Maintenance Kit.

² Later version 'E' pumps use a 6-vane rotor (pn 262907) that is fully interchangeable as long as the slotted vanes (pn 092913) are used.

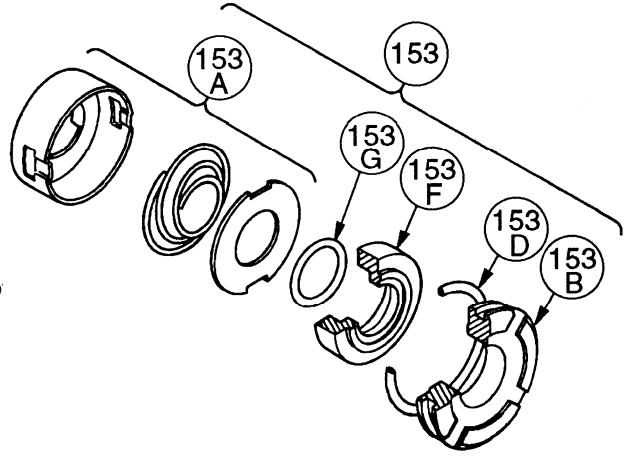
³ The current slotted vanes (pn 092913) may be used in either the 6-vane or 4-vane rotors. Always install the vanes with the slot facing the direction of rotation.

[†] To fit the LGB1(P)C, LGF1(P)C use: Ref. No. 12-022902/022911 respectively, Ref. No. 20-032902, Ref. No. 26-382901, Ref. No. 27-042901, Ref. No. 28-920203, Ref. No. 28A & B-920230, Ref. No. 73A-908198, and Ref. No. 108-832901/832905 respectively.

MECHANICAL SEAL

Ref. No.	Part Name	Parts Per Pump	Part No.
153	Mechanical Seal Assembly	2	¹ 332920
153A**	Jacket Assembly – Seal	2	**
153B**	Stationary Seat (Steel)	2	**
153D	O-Ring – Stationary Seat (Buna-N)	2	711916
153F**	Seal Face (Carbon)	2	**
153G	O-ring – Rotating (Buna-N)	2	711939

¹ Included in Maintenance Kit ** Ref. Nos. 153A, 153B & 153F are no repair parts.



MOUNTING BRACKET

Ref. No.	Part Name	Parts Per Pump	Part No.
108B	Bracket (C-faced footed) – LGF1(P)D Bracket (C-faced footed) – LGF1(P)C	1	833000 832905

