

# BLACKMER PARTS LIST

960418

PARTS LIST

Page 1 of 2

501-C01\_0608

PUMP MODELS: LGLD2E, LGL2E, LGLD3E, LGL3E

**DISCONTINUED MODELS: TLGLD2E, TLGLD3E**

(See Instructions 501-C00 for Installation, Operation and Maintenance)

Section 501

Effective

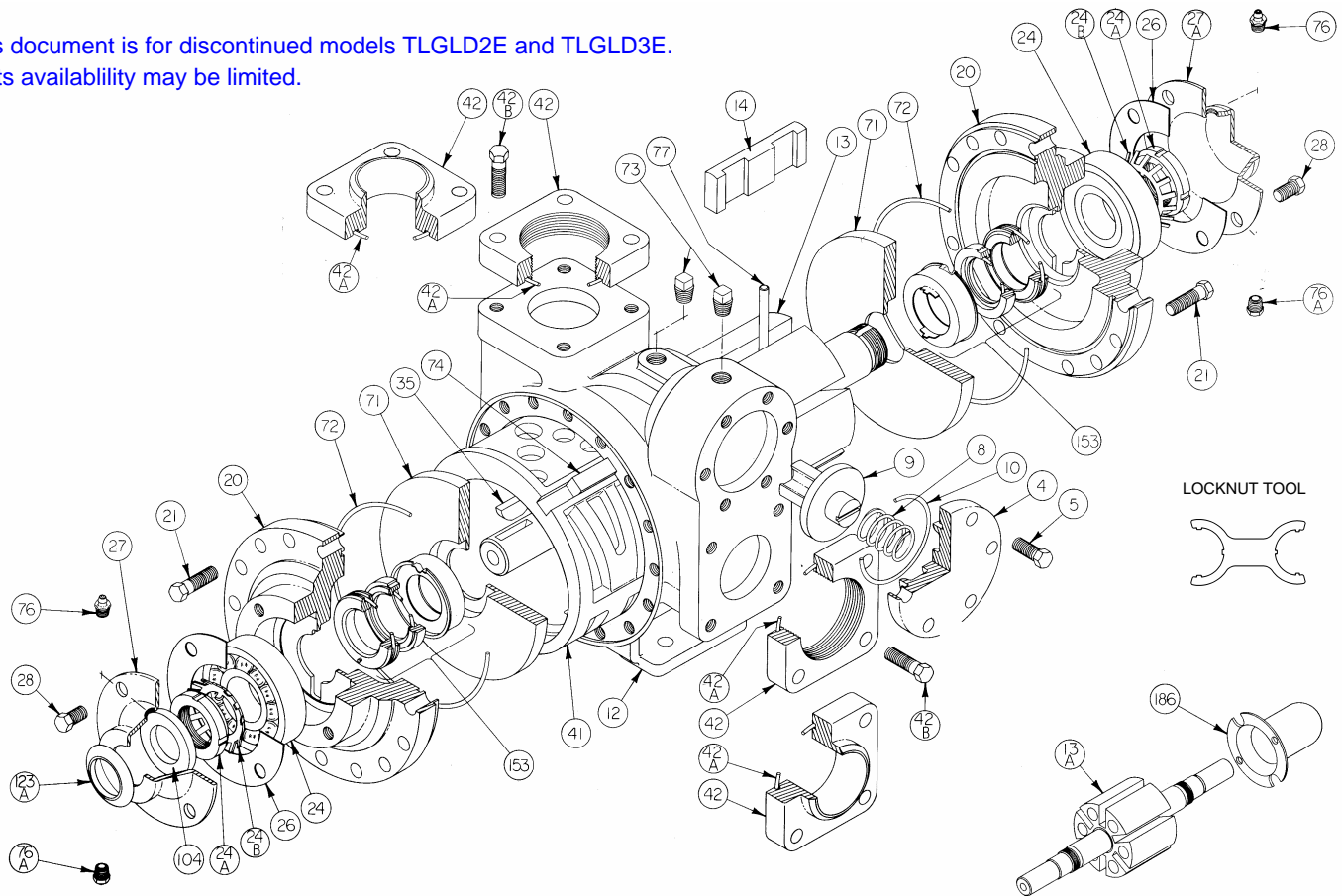
Aug 2006

Replaces

Mar 2005

This document is for discontinued models TLGLD2E and TLGLD3E.

Parts availability may be limited.



Ref. No.	Description	Parts Per Pump	Size 2 Part No.	Size 3 Part No.	Ref. No.	Description	Parts Per Pump	Size 2 Part No.	Size 3 Part No.
4	Cover - Relief Valve (R/V)	1	414401	415113	35	Key - Shaft	1	<sup>1</sup> 909130	<sup>1</sup> 909130
5	Capscrews - R/V Cover	6	920331	920331	41	Liner	1	<sup>2</sup> 184405	<sup>2</sup> 185111
8	Spring - R/V	1	471423	475135	42	Flange - NPT	2	654401	655112
9	Valve - R/V (Std.)	1	454405	455129	42	Flange - Weld	2	654405	655102
	Valve - R/V (Nickel Plated)		454406	455100					
10	O-Ring - R/V Cover	1	<sup>1</sup> 701919	<sup>1</sup> 701925	42A	O-Ring - Flange	2	<sup>1</sup> 702004	<sup>1</sup> 702002
12	Casing	1	014405	015127	42B	Capscrew - NPT Flange	8	920384	920547
13	Rotor & Shaft Asy. - LGL (Includes Ref. Nos. 24A & 24B)	1	264443	265149	71	Disc		<sup>1</sup> 064412	<sup>1</sup> 065112
						72	O-Ring - Head	<sup>1</sup> 702022	<sup>1</sup> 702041
13A	Rotor & Shaft Asy. - LGLD, TLGLD <sup>5</sup> (Includes Ref. Nos. 24A & 24B)	1	<sup>2</sup> 264445	<sup>2</sup> 265148	73	Gage Plug	2	908198	908198
					74	Key - Liner	1	<sup>2,6</sup> 183991	<sup>2</sup> 185191
14	Vane - Duravane (Std.)	6	<sup>1</sup> 091419	<sup>1</sup> 095131	76	Grease Fitting	2	317815	317815
20	Head	2	034416	035128	76A	Grease Relief Fitting	2	701992	701992
21	Capscrews - Head (Size 2)	32	920351	N/A	77	Push Rod	3	<sup>1</sup> 123905	<sup>1</sup> 125105
	Capscrews - Head (Size 3)	40	N/A	920369	104	Grease Seal	1	<sup>1,3</sup> 331918	<sup>1,3</sup> 331908
24	Ball Bearing	2	<sup>1</sup> 903156	<sup>1</sup> 903172	123A	Dirt Shield	1	<sup>1,3</sup> 701480	N/A
24A	Locknut - Bearing	2	<sup>2</sup> 903521	<sup>2</sup> 903523	186	Shaft Protector (LGLD, TLGLD Models Only)	1	341601	341801
24B	Lockwasher - Bearing	2	<sup>1</sup> 903522	<sup>1</sup> 903524	—	Tool - Locknut	—	903091	903091
26	Gasket - Bearing Cover	2	<sup>1</sup> 383940	<sup>1</sup> 385125	—	Kit - Maintenance	—	898979	898981
27	Bearing Cover (Inboard) <sup>3</sup>	1	041431	041815	—	Kit - Rebuild	—	899079	899081
27A	Bearing Cover (Outboard) <sup>4</sup>	1	041433	041817					
28	Capscrews - Bearing Cover	8 - 12	920285	920285					

<sup>1</sup> Included in Maintenance Kit and Rebuild Kit

<sup>2</sup> Included in Rebuild Kit

The following applies to double end shaft pump models LGLD2E, TLGLD2E, LGLD3E & TLGLD3E: <sup>3</sup> Use Two <sup>4</sup> Use None

<sup>5</sup> Double-Ended Rotor & Shaft.

<sup>6</sup> Pump models before 1995 require key 184407.

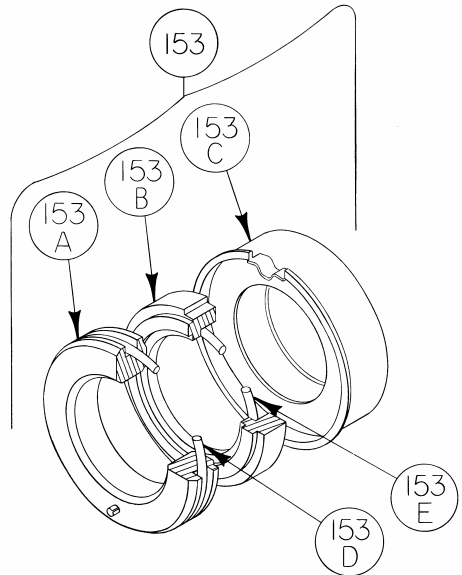
Keep this parts list with Installation, Operation and Maintenance Instructions.

**MECHANICAL SEAL – NH<sub>3</sub> OR DUAL SERVICE – SNCN (ID Code = QA)**

Ref. No.	Part Name	Parts Per Pump	Size 2 Part No.	Size 3 Part No.
153	Mechanical Seal Assembly	2	<sup>1</sup> 334439	<sup>1</sup> 335225
153A	Stationary Seat (Steel)	2	**	**
153B	Seal Face (Carbon)	2	**	**
153C	Jacket Assembly	2	**	**
153D	O-Ring - Stationary (Buna-N)	2	711924	702025
153E	O-Ring Rotating (Buna-N)	2	711918	711912

<sup>1</sup> Included in Maintenance Kit and Rebuild Kit

\*\* NOTE: Mechanical Seal Ref. No. 153 is only sold as a complete assembly. Ref. Nos. 153A, 153B & 153C are not available as separate replacement parts.



**OPTIONAL HYDRAULIC MOTOR ADAPTER PARTS**

Ref. No.	Part Name	Parts Per Pump	Size 2 Part No.	Size 3 Part No.
See Below	<b>Hydraulic Motor Adapter Kit *</b>	See Below	894425	895140
26A	Gasket- Hydraulic Motor Adapter	1	383940	381817
28A	Capscrew – Hydraulic Motor Adapter / Head	4 / 6	920369	920369
34	Coupling w/ Setscrew – 1.25" straight key hydraulic motor shaft	1	906967	906967
35	Key – Coupling	1	909184	909184
76	Grease Fitting	1	317185	317815
76A	Grease Relief Fitting	1	701992	701992
135	Hydraulic Motor Adapter – SAE A Flange	1	041827	041831
135A	Capscrew – Adapter / Motor	2	920510	920510

\* Hydraulic Motor Adapter Kits shipped prior to Spring 2002 were of a two piece design – refer to page 206-C00.

