

BLACKMER PARTS LIST

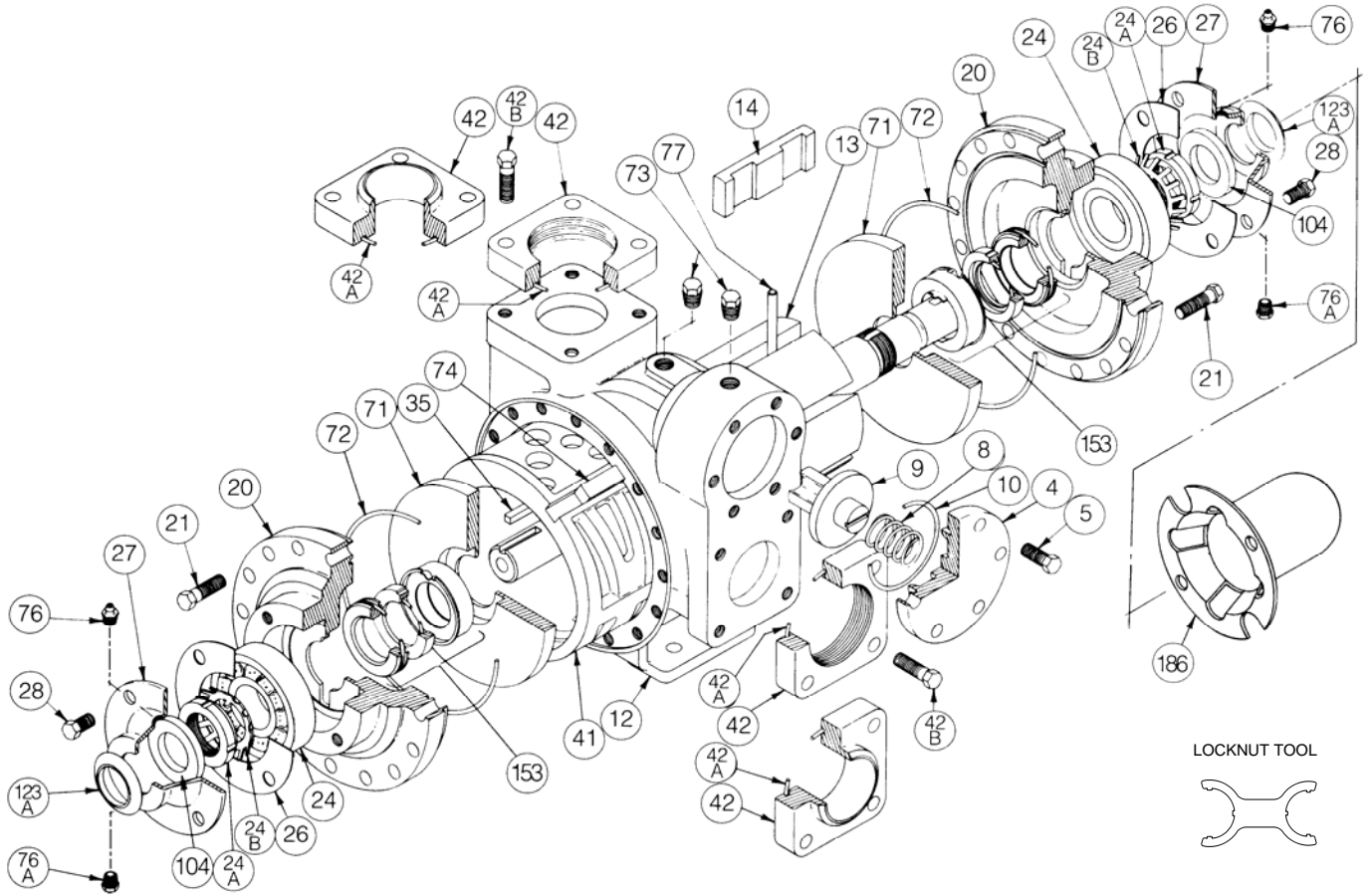
PUMP MODELS: LGLH2A

960420
Page 1 of 2

PARTS LIST
501-J01

Keep with Instructions 501-J00 for Installation, Operation and Maintenance

Section 501
Effective Jun 2011
Replaces Mar 2010



Ref. No.	Description	Parts Per Pump	Part No.	Ref. No.	Description	Parts Per Pump	Part No.
4	Cover - Relief Valve (R/V)	1	414401	42	Flange - NPT	1	654401
5	Capscrews - R/V Cover	6	920331		Flange - Weld	2	654405
8	Spring - R/V (190 psi)	1	¹ 471622	42A	O-Ring - Flange	2	¹ 702004
9	Valve - R/V	1	454405	42B	Capscrew - NPT Flange	8	920384
10	O-Ring - R/V Cover	1	¹ 701919		Capscrew - Weld Flange		920351
12	Casing	1	014405	71	Disc	2	¹ 064412
13	Rotor & Shaft Asy. (Includes Ref. Nos. 24A & 24B)	1	² 264445	72	O-Ring - Head	2	¹ 702022
14	Vane - Duravane (Std.)	6	¹ 091419	73	Gage Plug	2	908198
20	Head	2	034416	74	Key - Liner	1	² 183991
21	Capscrews - Head	32	920351	76	Grease Fitting	2	317815
24	Spherical Roller Bearing	2	¹ 903191	76A	Grease Relief Fitting	2	701992
24A	Locknut - Bearing	2	² 903521	77	Push Rod	3	¹ 123905
24B	Lockwasher - Bearing	2	¹ 903522	104	Grease Seal	2	¹ 331918
26	Gasket - Bearing Cover	2	¹ 383940	123A	Dirt Shield	2	¹ 701480
27	Bearing Cover	2	041431	186	Shaft Protector	1	341601
28	Capscrews - Bearing Cover	8	920285	—	Tool - Locknut	—	903091
35	Key - Shaft ³	1	¹ 909209	—	Kit - Maintenance	—	899221
41	Liner	1	² 184405	—	Kit - Rebuild	—	899121

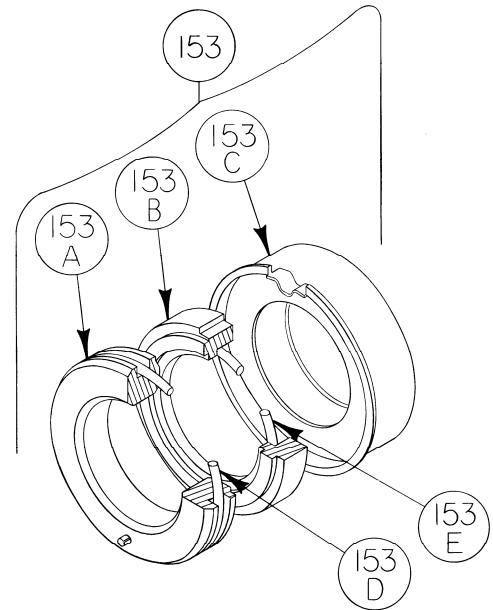
¹ Included in Maintenance Kit and Rebuild Kit ² Included in Rebuild Kit ³ Previous versions used Woodruff Key 909130

MECHANICAL SEAL – NH₃ OR DUAL SERVICE – SNCN (ID Code = QA)

Ref. No.	Part Name	Parts Per Pump	Part No.
153	Mechanical Seal Assembly	2	¹ 334439
153A	Stationary Seat (Steel)	2	**
153B	Seal Face (Carbon)	2	**
153C	Jacket Assembly	2	**
153D	O-Ring - Stationary (Buna-N)	2	711924
153E	O-Ring Rotating (Buna-N)	2	711918

¹ Included in Maintenance Kit and Rebuild Kit

** NOTE: Mechanical Seal Ref. No. 153 is only sold as a complete assembly. Ref. Nos. 153A, 153B & 153C are not available as separate replacement parts.



OPTIONAL HYDRAULIC MOTOR ADAPTER PARTS

Ref. No.	Part Name	Parts Per Pump	Part No.
	Hydraulic Motor Adapter Kit		894425
26A	Gasket- Hydraulic Motor Adapter	1	383940
28A	Capscrew – Hydraulic Motor Adapter / Head	4	920369
34	Coupling w/ Setscrew – 1.25" straight key hydraulic motor shaft	1	906967
35	Key – Coupling	1	909184
76	Grease Fitting	1	317185
76A	Grease Relief Fitting	1	701992
135	Hydraulic Motor Adapter – (SAE A Flange)	1	041827
135A	Capscrew – Adapter / Motor	2	920510

