

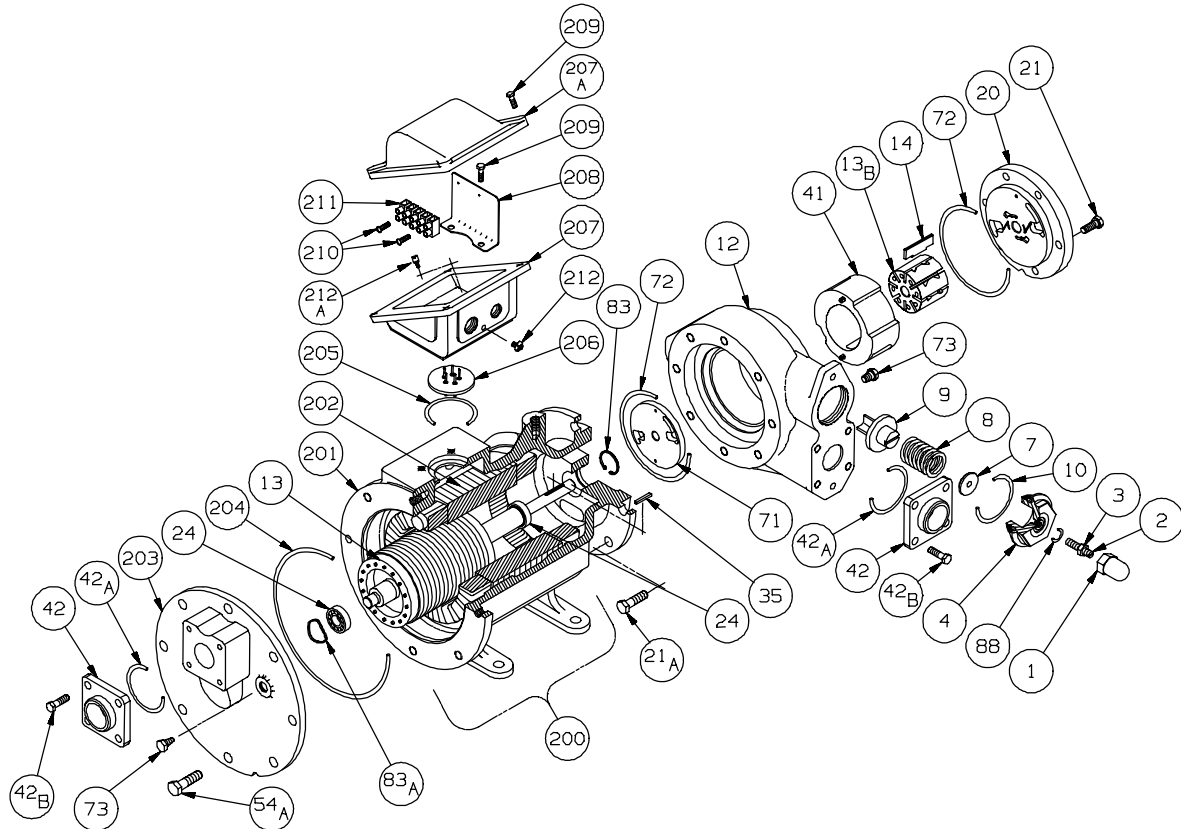
BLACKMER PARTS LIST

PUMP MODEL: VISTATECH VT125

(See Instructions 504-C00 for Installation, Operation and Maintenance)

969005 **PARTS LIST**
Page 1 of 1 **504-C01**

Section	500
Effective	Aug. 1999
Replaces	589/C1 Aug. 99



Ref. No.	Description	Parts per Pump	Part No.	Ref. No.	Description	Parts per Pump	Part No.
1	Relief Valve (R/V) Cap	1	413200	71	Disc	1	063201
2	R/V Adjusting Screw	1	433909	72	O-Ring - Head	2	*701918
3	R/V Adjusting Screw Locknut	1	922923	73	Gage Plug (1/4" NPT)	2	*908198
4	R/V Cover	1	413076	83	Retaining Ring	1	*903627
7	R/V Spring Guide	1	423955	83A	Bearing Spring	1	*903407
8	R/V Spring (81-150 psi)	1	471428	88	O-Ring R/V Cap	1	*701949
9	R/V Valve	1	453077	200	Motor Assembly (High Voltage) ¹	1	**927021
10	O-Ring R/V Cover	1	711924	200	Motor Assembly (Low Voltage) ¹	1	**927020
12	Casing	1	**013201	201	Motor Housing	1	**733203
13	Motor Rotor & Shaft	1	263202	202	Motor	1	**928046
13B	Pump Rotor	1	203207	203	Motor Housing End Cap	1	**733204
14	Vane - Duravane	8	093201	204	O-Ring End Cap	1	*711923
20	Outboard Head	1	033201	205	O-Ring Pass Thru	1	*701929
21	Outboard Head - Capscrews	6	924020	206	Electrical Pass-Thru Assembly	1	**927012
21A	Casing - Capscrews	8	924064	207	Conduit Box	1	**927002
24	Bearing	2	*903196	207A	Conduit Box Cover	1	**927001
35	Shaft - Key	1	909199	208	Mounting Bracket	1	**927004
41	Liner	1	183203	209	Conduit - Box Capscrew	8	*924007
42	Weld Flange - 1.25"	2	653211	210	Pan Head Self Tap Screws	2	*924006
42A	O-Ring Flange	2	711916	211	Terminal Block	1	**927007
42B	Flange Capscrews	8	924019	212	Ground Lug	1	927015
54A	End Cap Capscrews	8	924064	212A	Ground Lug	1	927014

* Recommended spare parts.

** Non-Saleable Items.

¹ Motor Assembly includes Ref. Nos. 13, 24, 54A, 200 thru 212A

Keep this parts list with Installation, Operation and Maintenance Instructions.



1809 Century Avenue, Grand Rapids, Michigan 49509-1595, U.S.A.
Telephone: (616) 241-1611 / Fax: (616) 241-3752
E-Mail: blackmer@blackmer.com / Internet: www.blackmer.com